

Plan 23 Predator Guard

SUPPLIES NEEDED:

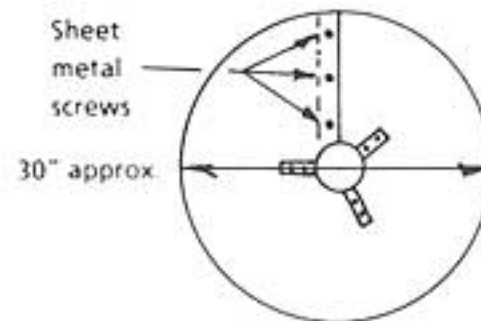
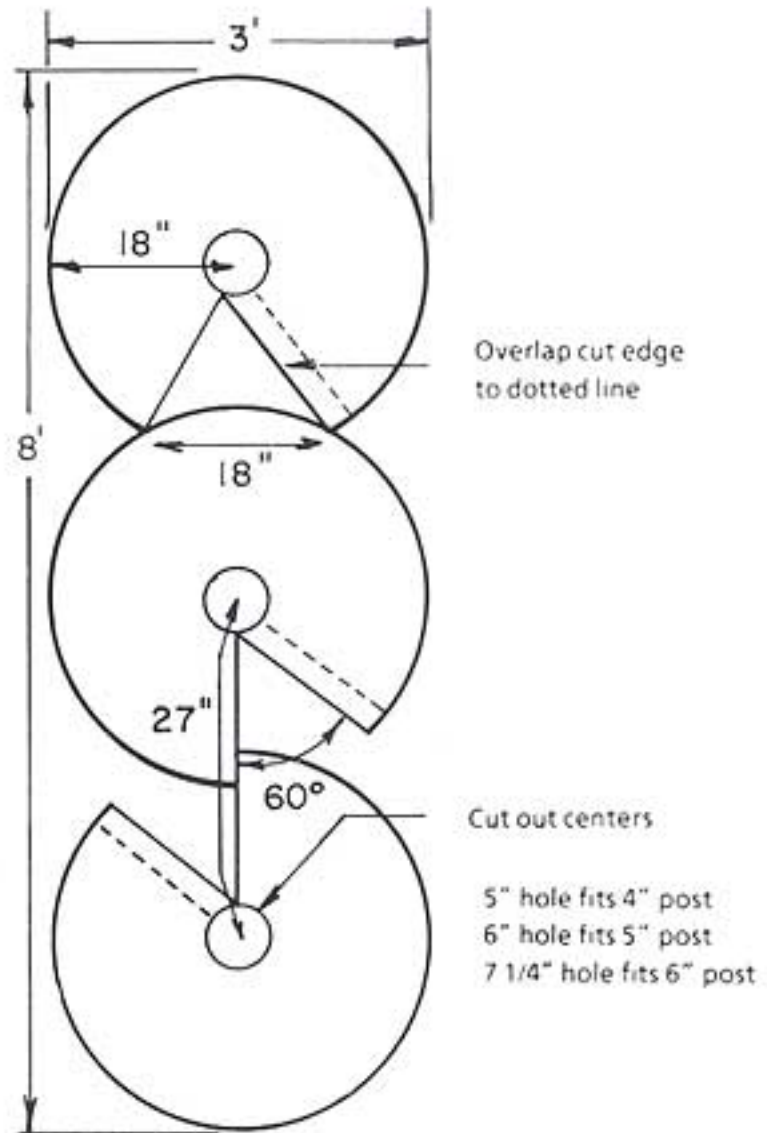
Three guards can be cut from one 3' X 8' sheet of galvanized steel

Three sheet metal screws per guard

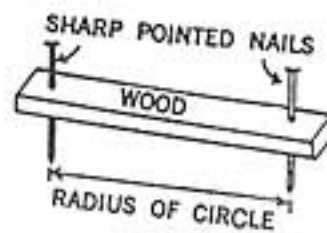
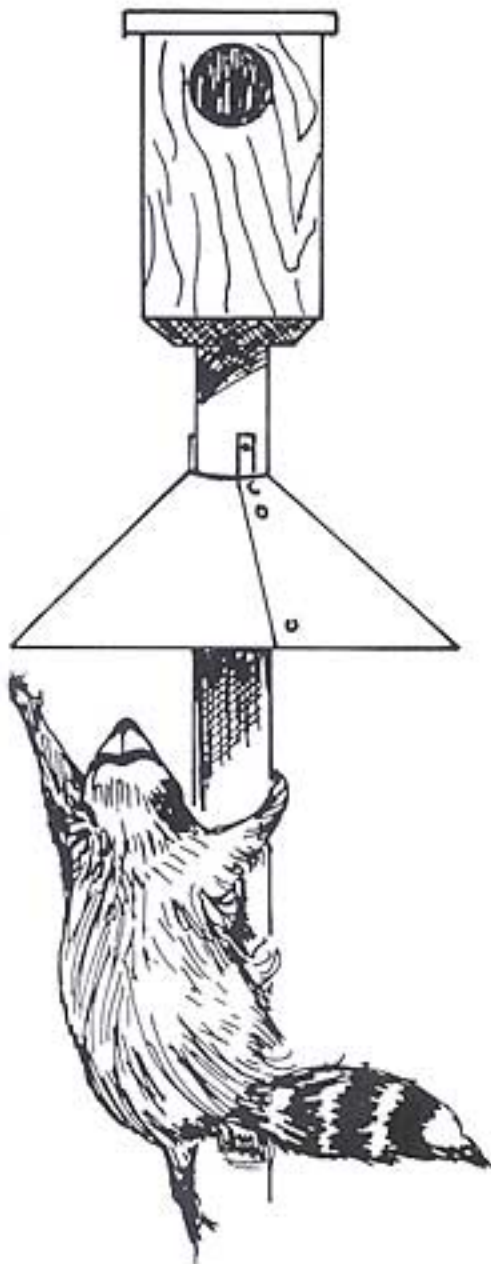
Three pieces 12" X 3/16" strap iron per guard

Nest boxes can become liabilities if no effort is made to predator proof them. Raccoons are the most serious predator on nesting birds, eating the eggs and often killing the incubating adults.

This plan shows an easy to construct metal guard for keeping raccoons, squirrels and other predators, from climbing up to the entrance hole of the nest boxes.



BOTTOM VIEW



HOME MADE COMPASS FOR SCRIBING METAL

