

Plan 12 Barn Owl Nest Boxes

SUPPLIES NEEDED:

- 4' x 4' x 5/8" CDX Exterior Plywood
- 1" X 12" X 6' Pine Board (SPF)
- 2" X 4" X 10' (SPF) for Silo Ladder, Plan # 3

OTHER TOOLS AND SUPPLIES NEEDED:

- Electric Screw Driver
- Two 2" eye-bolts, Plan # 1
- 1-1/2" Long Galvanized Drywall Screws (1 LB.)
- Two Hinges
- One Hasp
- 3" Long Deck Screws for Plans# 1 & 3
- 6 Feet of # 12 Wire for Plan# 1 & 3
- Two 1-3/8" X 12" Slotted Flat Steel Strips to bend Hangers for Silo Ladder, Plan# 3.

ASSEMBLY INSTRUCTIONS:

1. Cut out top, side, end & bottom pieces of nest box. Cut entrance hole at appropriate location for plan being used.
2. Assemble nest box with 1-1/2" screws, hinges and hasp. If building Plan # 3, it may be easier to attach 2" X 4" supports before top is installed. Ladder width must be known before hand.
3. Provide support for box in Plan# 1 by attaching the # 12 wire from the lower outside corners to the wall with eye-bolts.
4. For Plan # 3 - After cutting out 2" X 4"s bend and attach flat metal strips to form mounting hooks.
5. For Plan # 3 - Cut out and attach 2" X 4" supports.
6. Cut out appropriate sized platform and associated railings. Attach railings to platform. It may be easier to attach assembled platform after box is mounted at location.
7. For Plan # 2 - Platform length can be extended along beam as far as possible. The longer the better.
8. Plans 1 & 2 require cutting hole in barn wall for owl access. Locate 12" above platform.

If site location is likely to be disturbed by cats and raccoons, align box hole with barn wall hole and place platform on outside of barn and under the entrance hole.

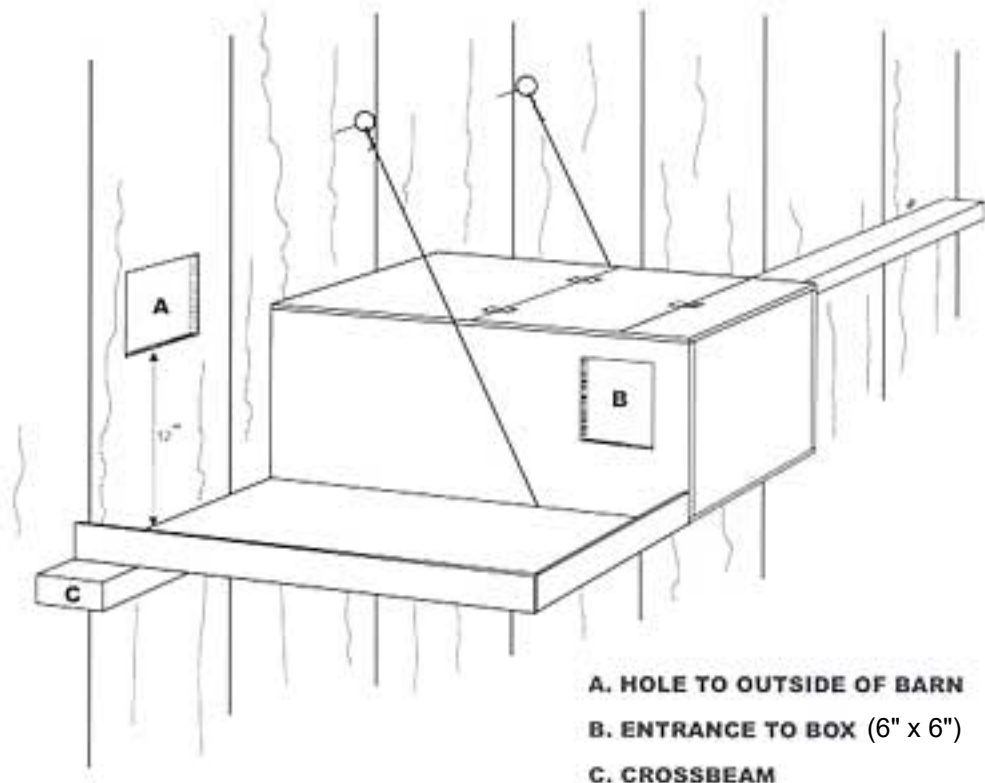
Although any barn can be used, the best building in which to install a Barn Owl nest box is an abandoned or seldom used barn on a farmstead.

Select the "Clean Face" or end of a barn having few or no openings.

Choose a crossbeam on which to mount the box.

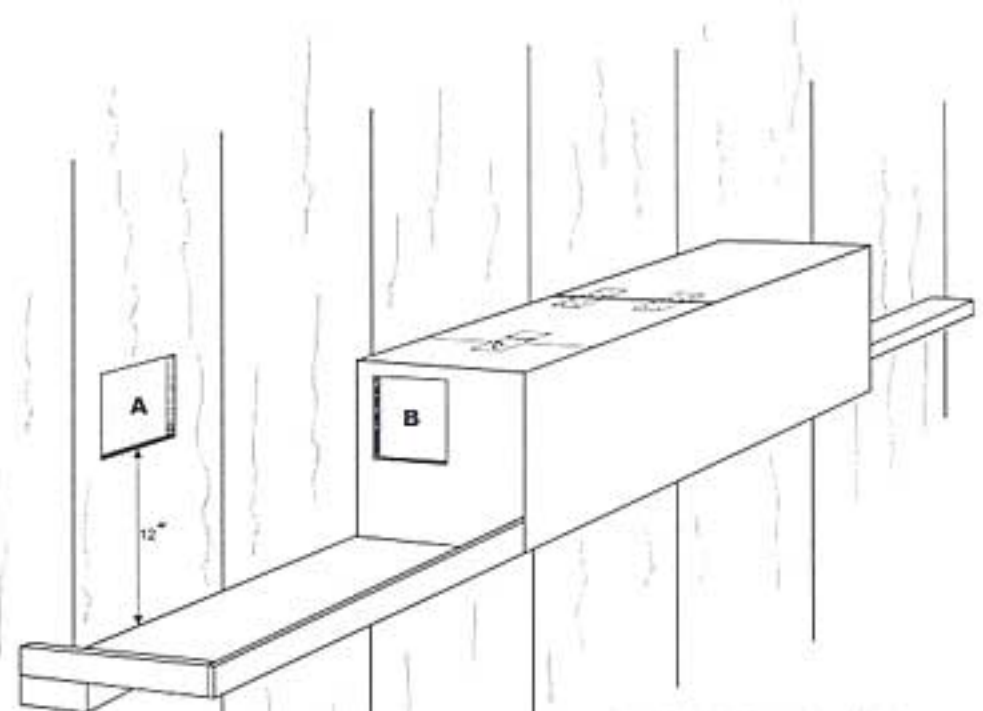
Mount the box by screwing it to the beam.

Provide additional support as necessary by bracing the box with 2" X 4" lumber or by attaching wire cable, 1/2" nylon or marine rope from the lower outside corners to the wall.

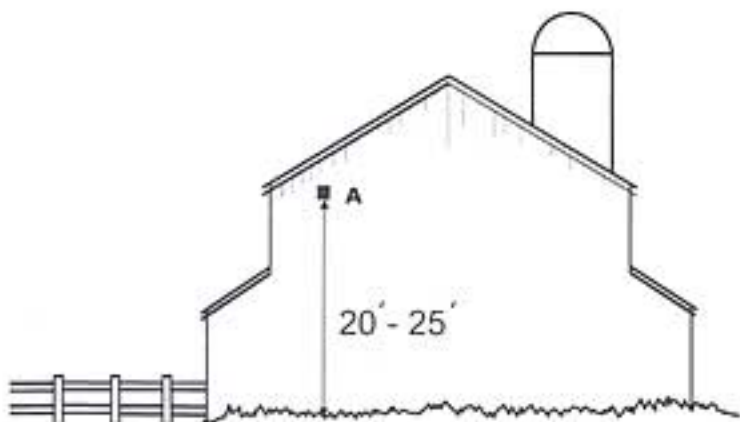


A. HOLE TO OUTSIDE OF BARN
B. ENTRANCE TO BOX (6" x 6")
C. CROSSBEAM

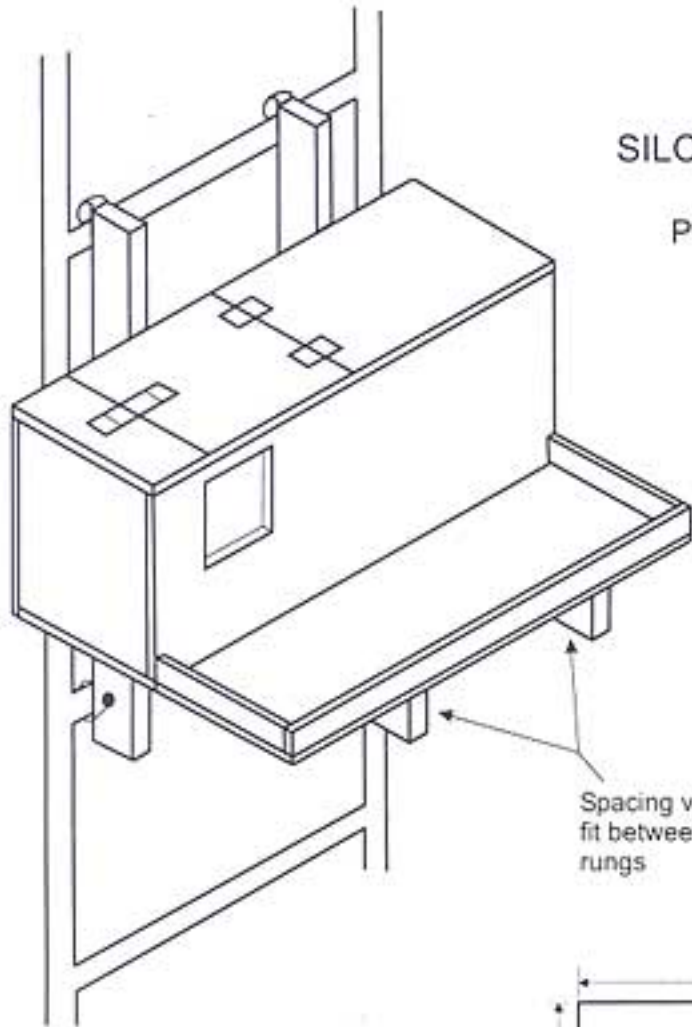
BARN, PLAN # 1



BARN, PLAN # 2

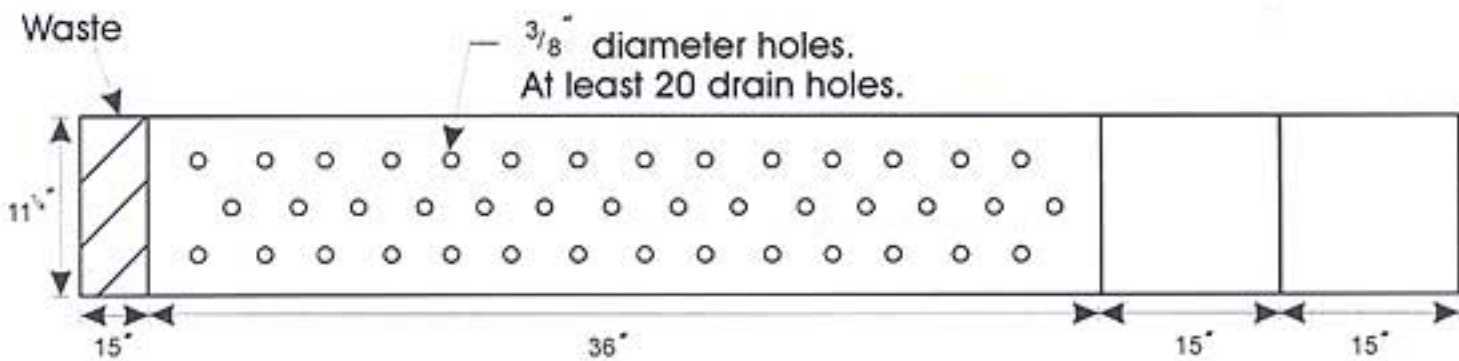
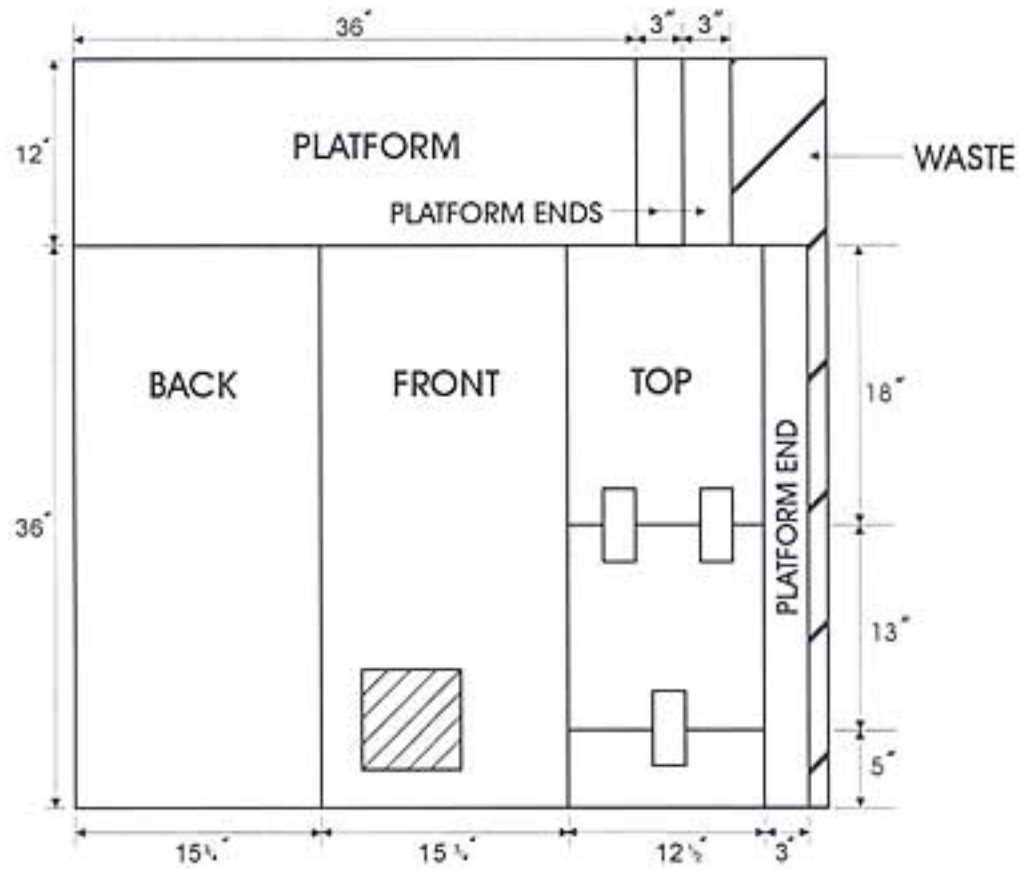
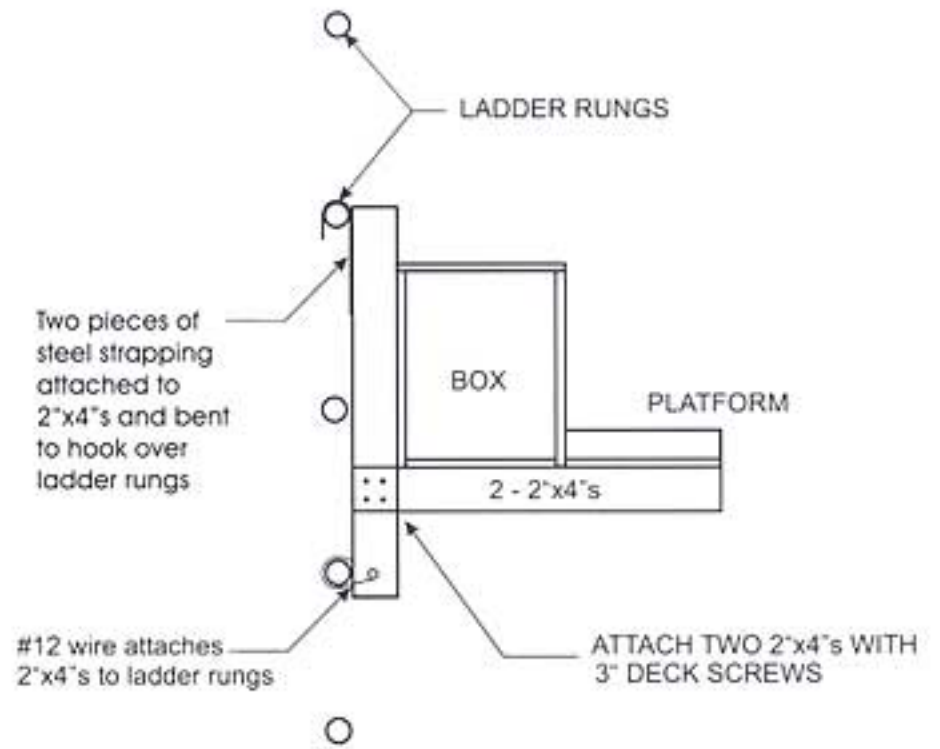


Plan 12 Barn Owl Nest Boxes continued . . .



SILO LADDER BOX
PLAN # 3

Spacing varies to fit between ladder rungs



2' x 4' x 10' FOR MOUNTING SUPPORTS FOR SILO LADDER, PLAN # 3

